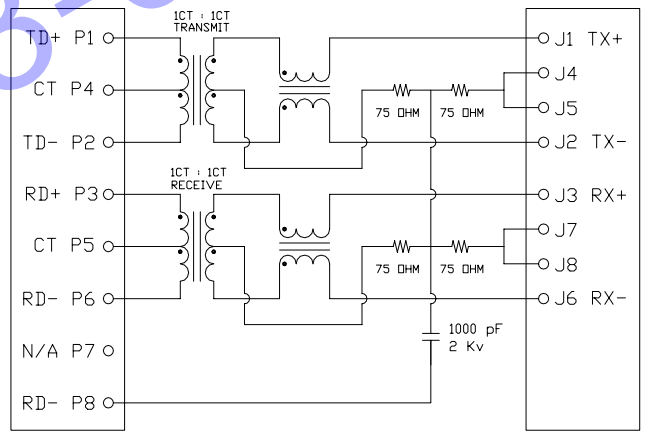


**ELECTRICAL SPECIFICATIONS @ 25°C+/-5°C unless otherwise noted:**

- Insertion Loss: 1-100MHZ -1.0dB MAX**
- Return Loss: 1-30MHZ -16.0dB MIN**  
**30-60MHZ -14.0dB MIN**  
**60-80MHZ -10.0dB MIN**
- Cross Talk: 1-30MHZ -40.0dB MIN**  
**30-60MHZ -35.0dB MIN**  
**60-80MHZ -30.0dB MIN**
- CMR: 1-100MHZ -35.0dB MIN**
- Hi-Pot: 1500v AC 6S 1mA**



**OCL:350uH MIN @ 100KHZ 100mV 8mA DC**

**Turn Ratio: 1CT:1CT+/-3%**

**Contacts: 0.35mm thick phos bronze plated with 6u' gold in contact area**

**Operating temperature range:0°C to +70°C**

**Housing Material: PBT Black**

<b>HDC 有限公司</b>	UNIT: mm .xx +/-0.25 .xxx +/-0.13	Approved By : Herman Au	
	<b>10/100BASE 1X1Tab-Down RJ45</b>	.....P/N.; F>>!<+\$, %	REV. <b>A</b>
Drafted by CZ Lin		Sheet 1 of 1	